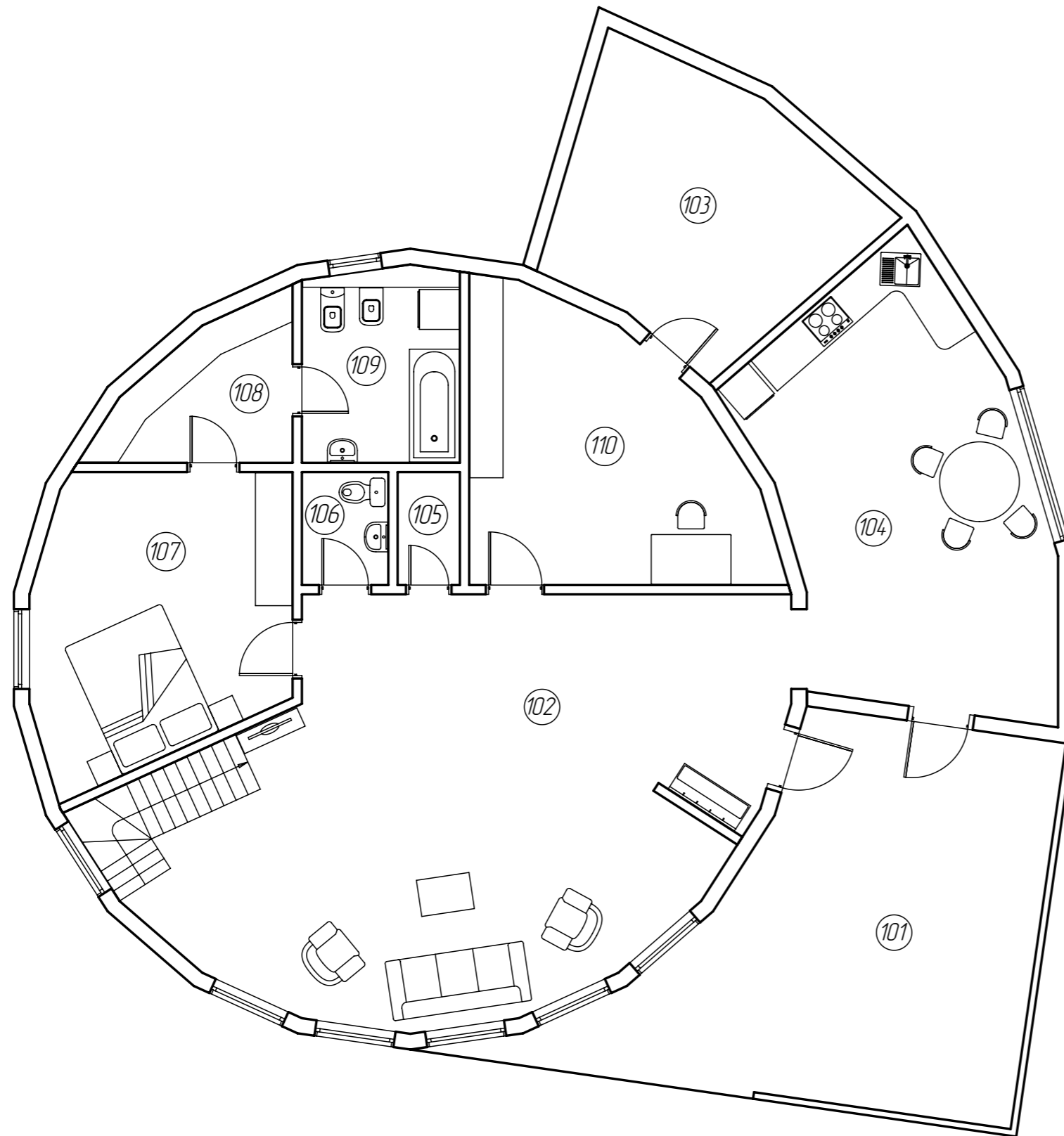


DOBROSFERA

DOME HOUSE
DOBROSFERA Z12

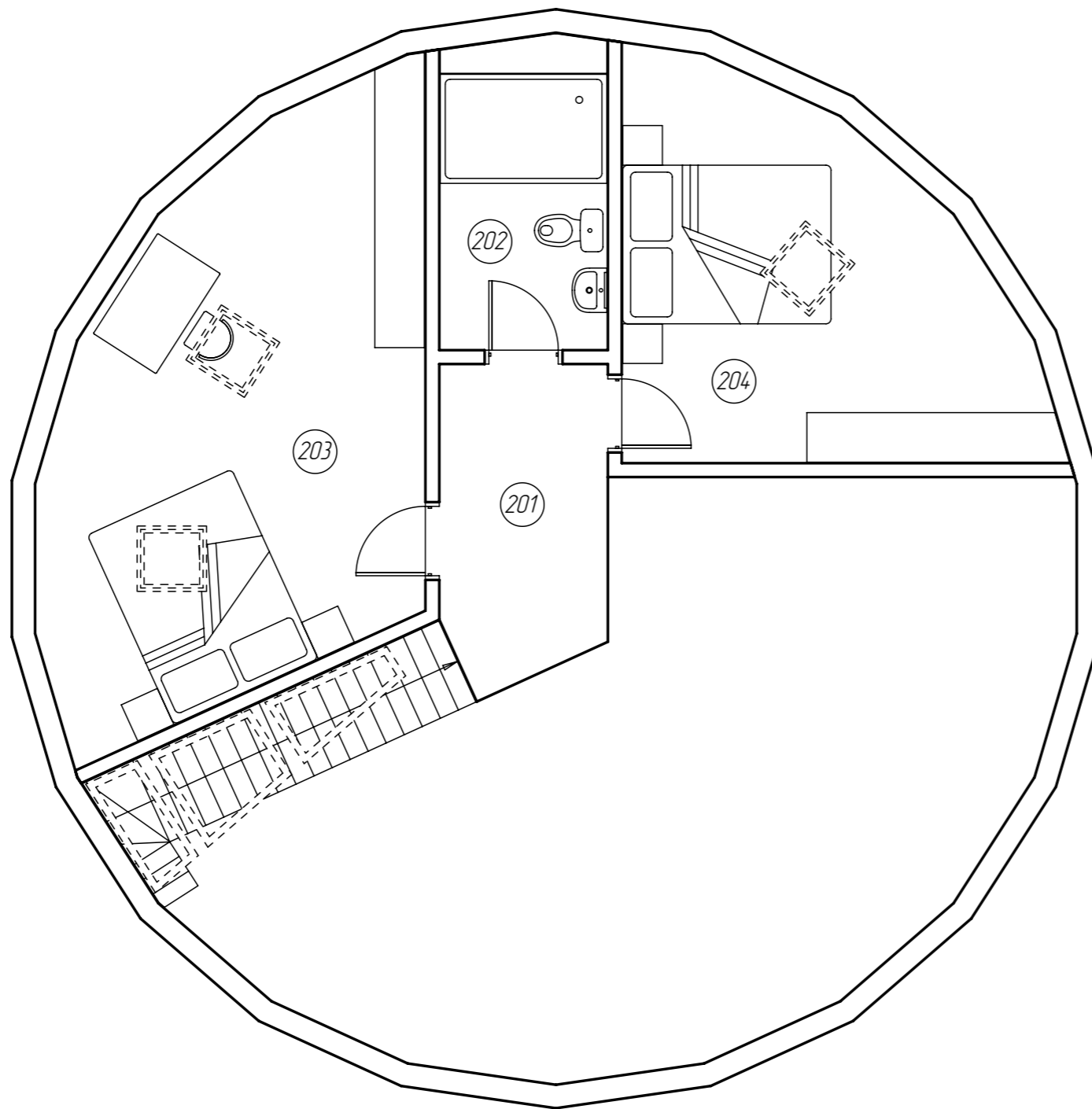
PRELIMINARY PROJECT

2021



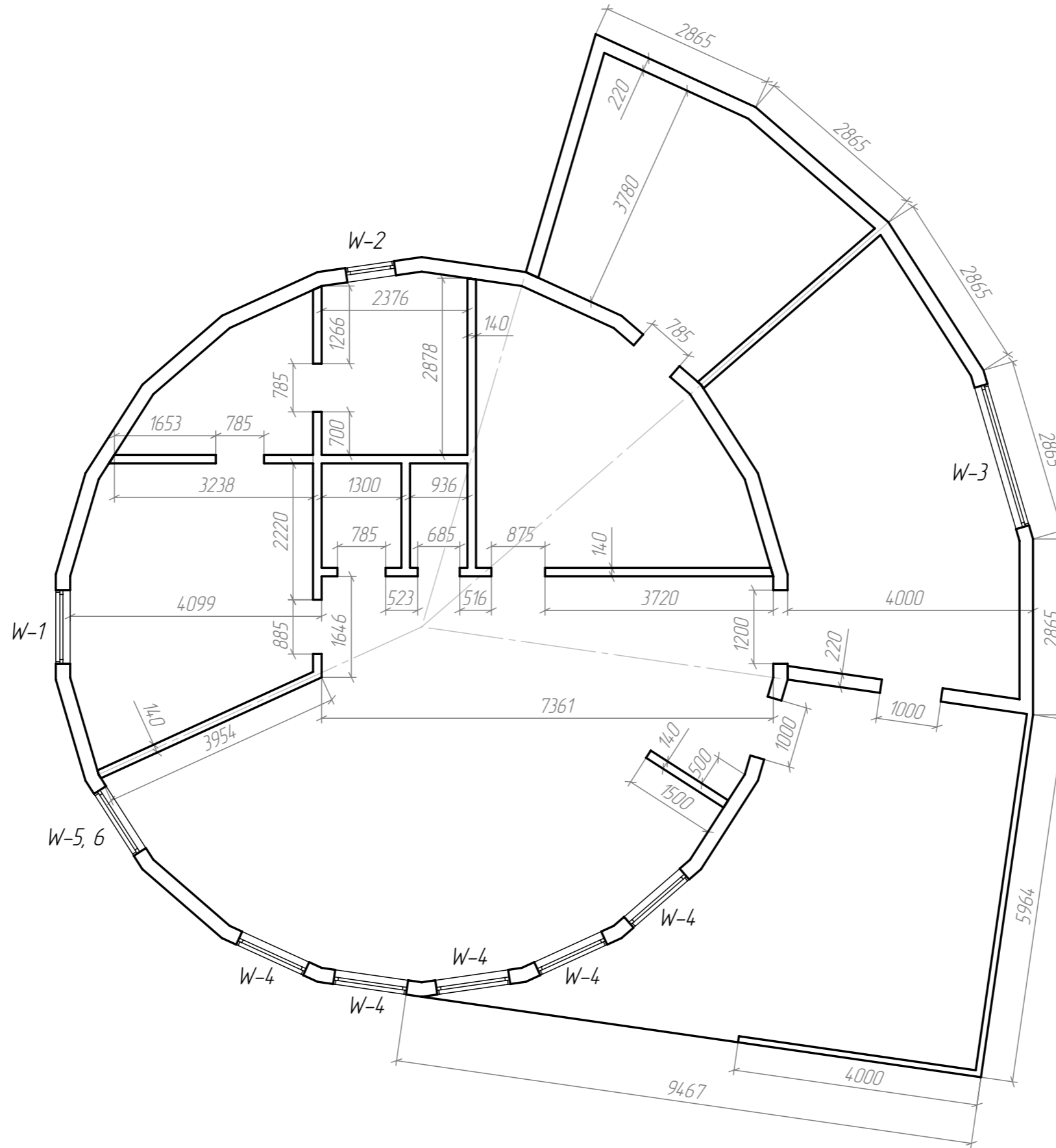
<i>Premises explication</i>		
<i>Nº</i>	<i>Room name</i>	<i>Area, m2</i>
101	Covered terrace	30,92
102	Living room	51,54
103	Storage	15,96
104	Kitchen	24,50
105	Storage	1,59
106	Bathroom	2,21
107	Bedroom	16,13
108	Dressing room	5,44
109	Bathroom	6,86
110	Office	16,41

<i>Plan of the first floor</i>	<i>Stage</i>	<i>Page</i>	<i>Pages</i>
	<i>P</i>	<i>1</i>	<i>22</i>



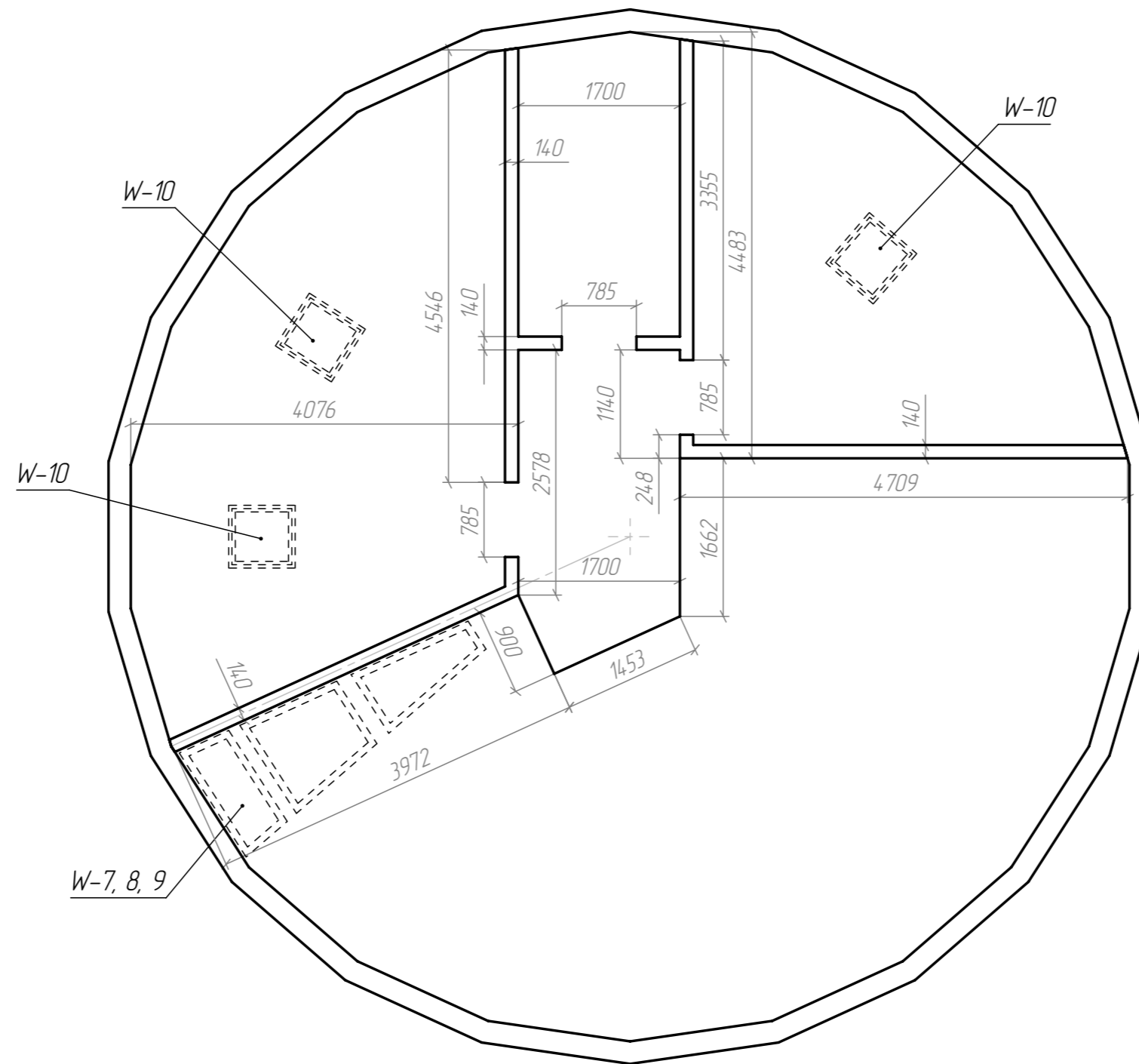
<i>Premises explication</i>		
<i>Nº</i>	<i>Room name</i>	<i>Area, m2</i>
201	Hall	5,23
202	Bathroom	5,32
203	Bedroom	20,24
204	Bedroom	13,90

<i>Plan of the second floor</i>	<i>Stage</i>	<i>Page</i>	<i>Pages</i>
	<i>P</i>	<i>2</i>	<i>22</i>

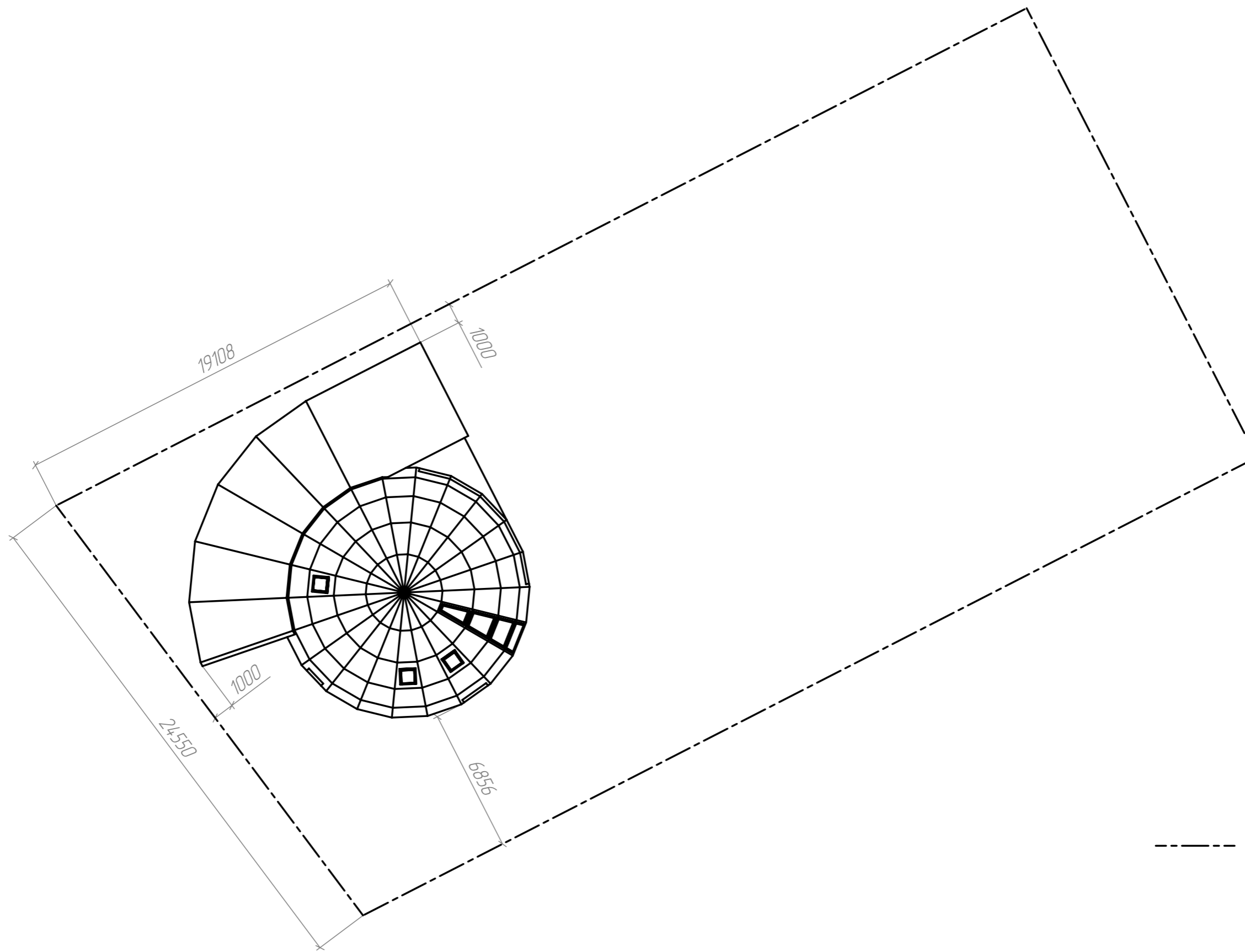


Plan of the first floor

Stage	Page	Pages
P	3	22

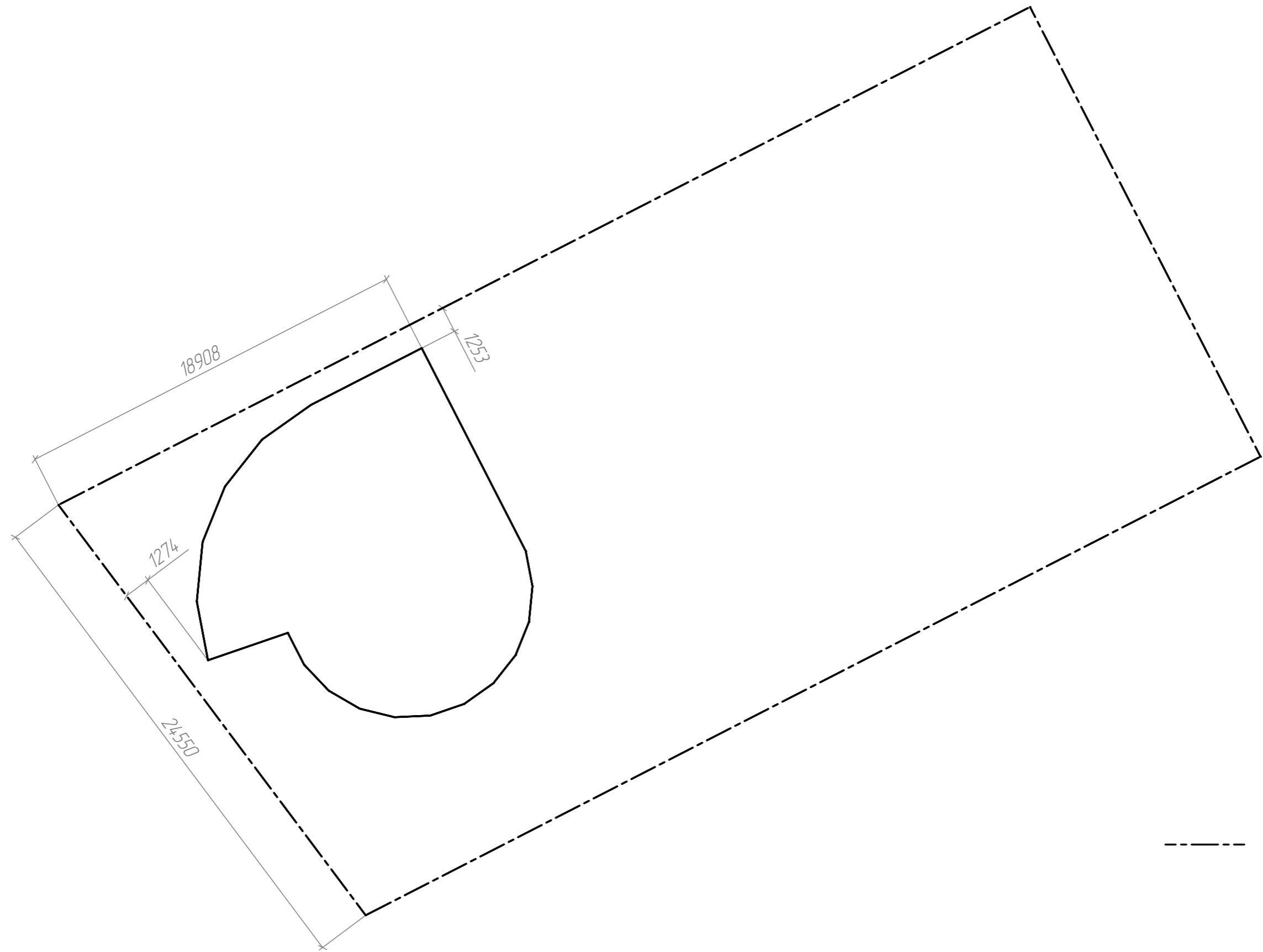


<i>Plan of the second floor</i>	<i>Stage</i>	<i>Page</i>	<i>Pages</i>
	<i>P</i>	<i>4</i>	<i>22</i>



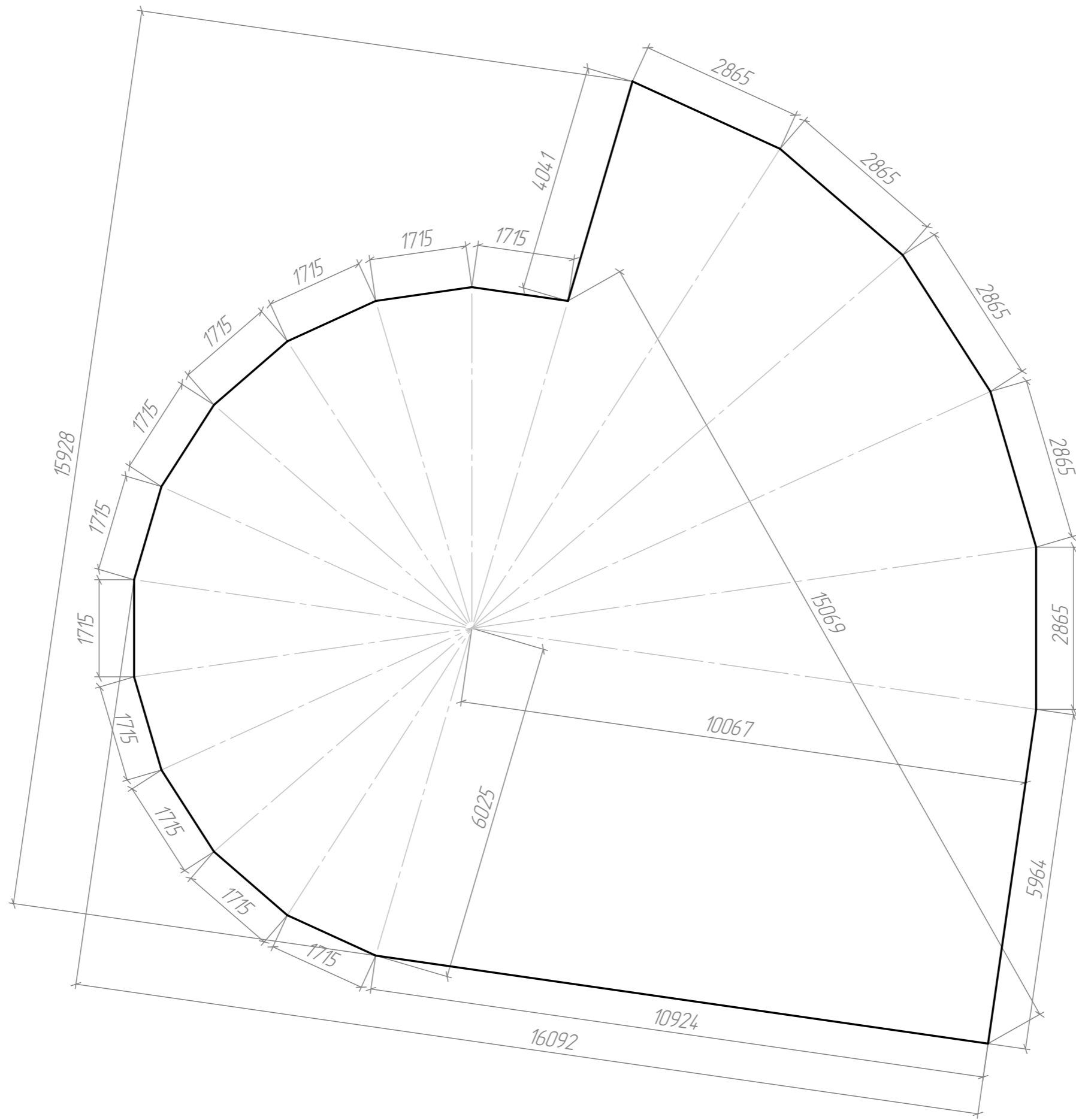
----- Land border

<i>Plot plan</i>	<i>Stage</i>	<i>Page</i>	<i>Pages</i>
	<i>P</i>	<i>5</i>	<i>22</i>

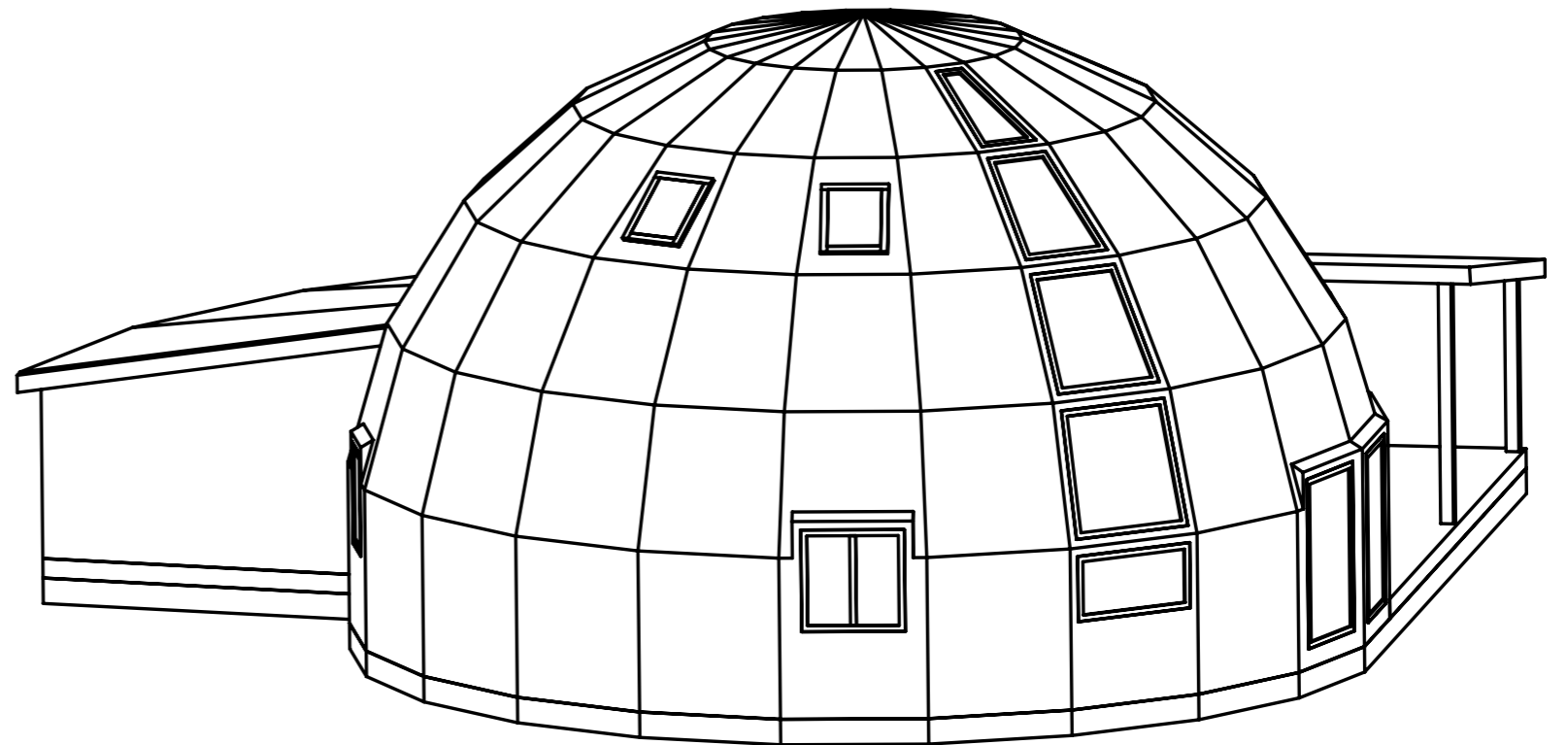
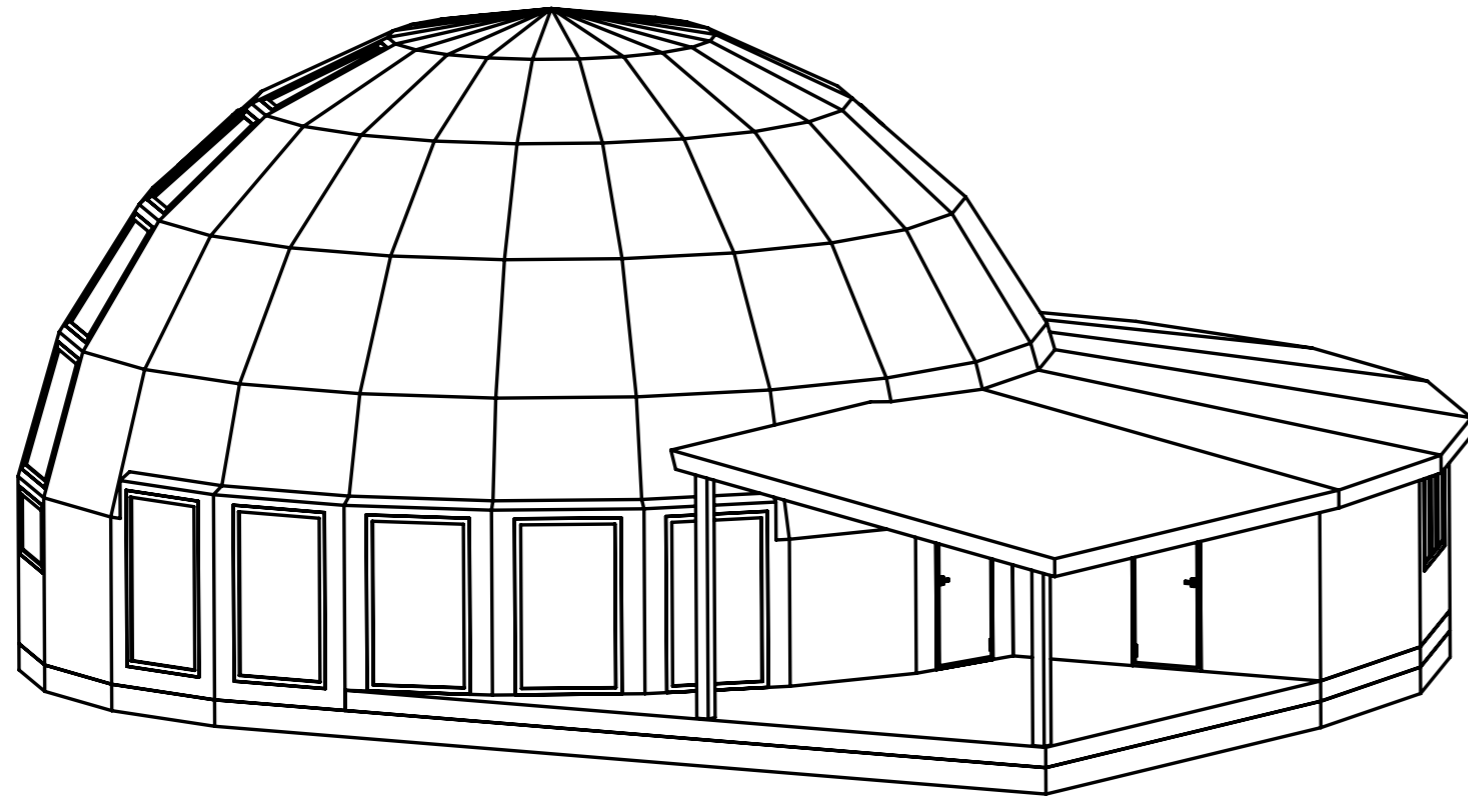


----- Land border

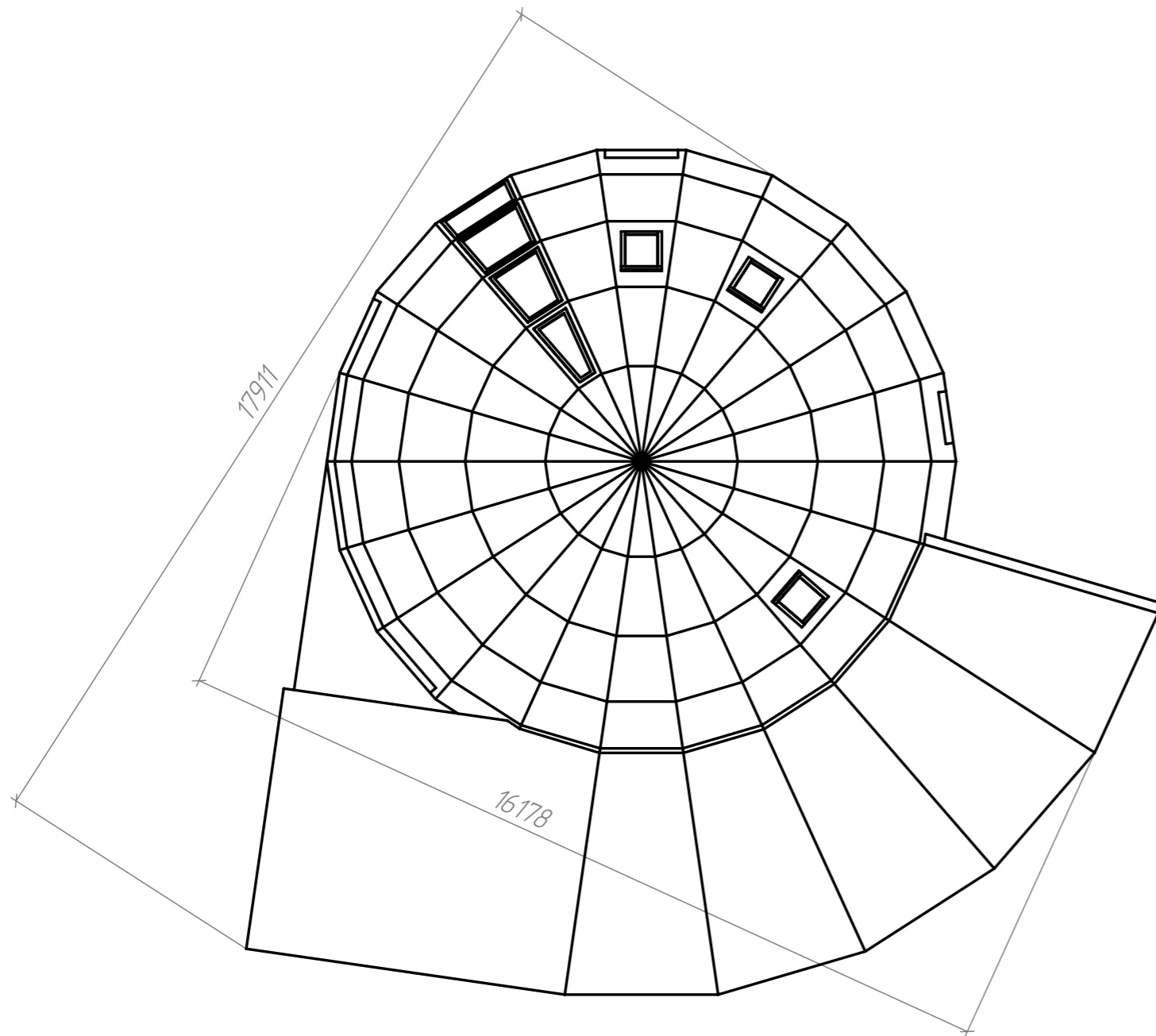
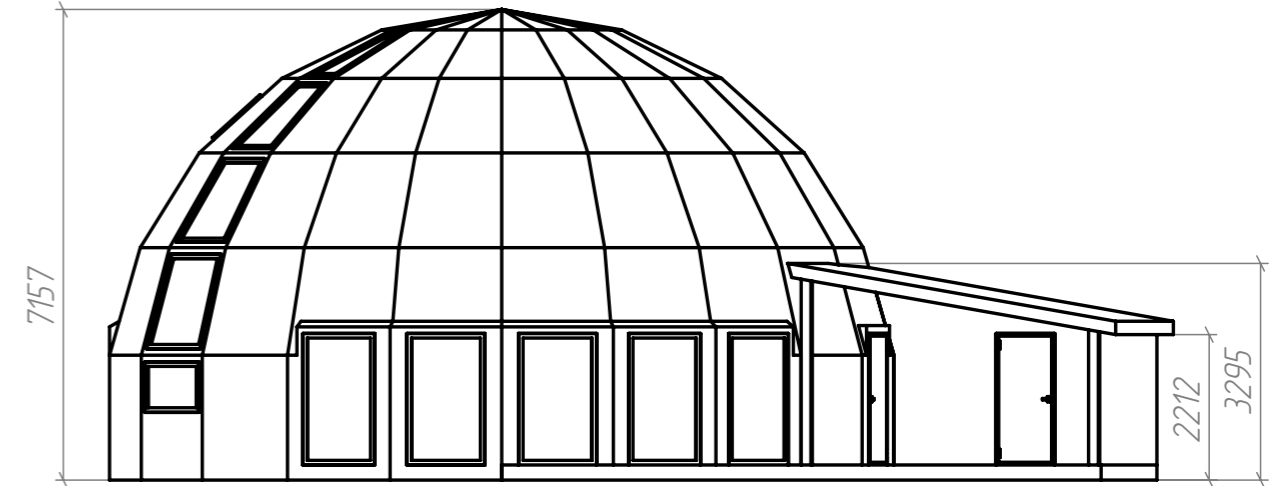
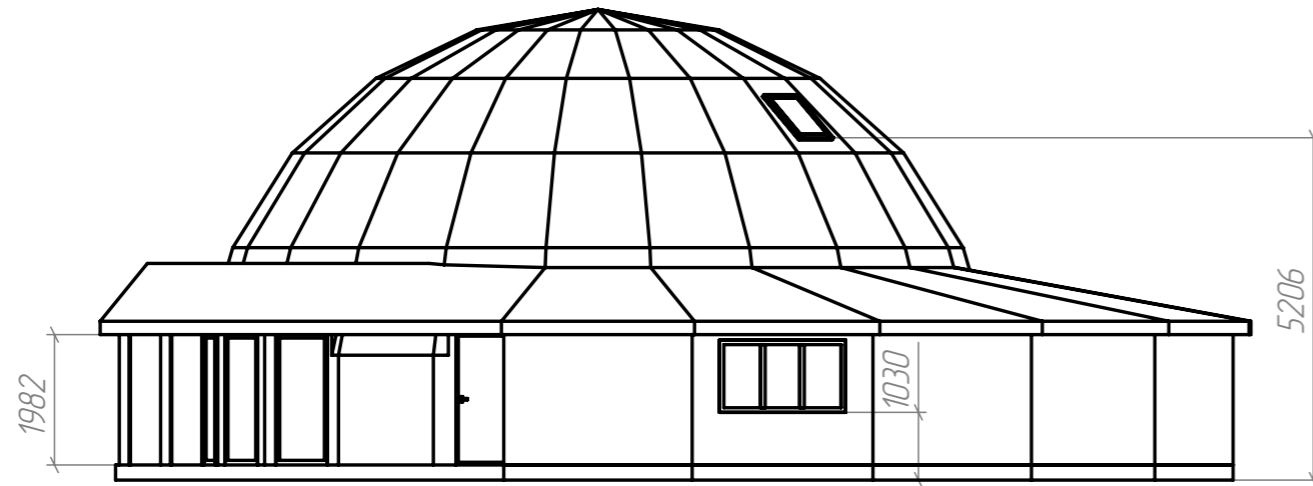
<i>Placement of the foundation</i>	<i>Stage</i>	<i>Page</i>	<i>Pages</i>
	<i>P</i>	<i>6</i>	<i>22</i>



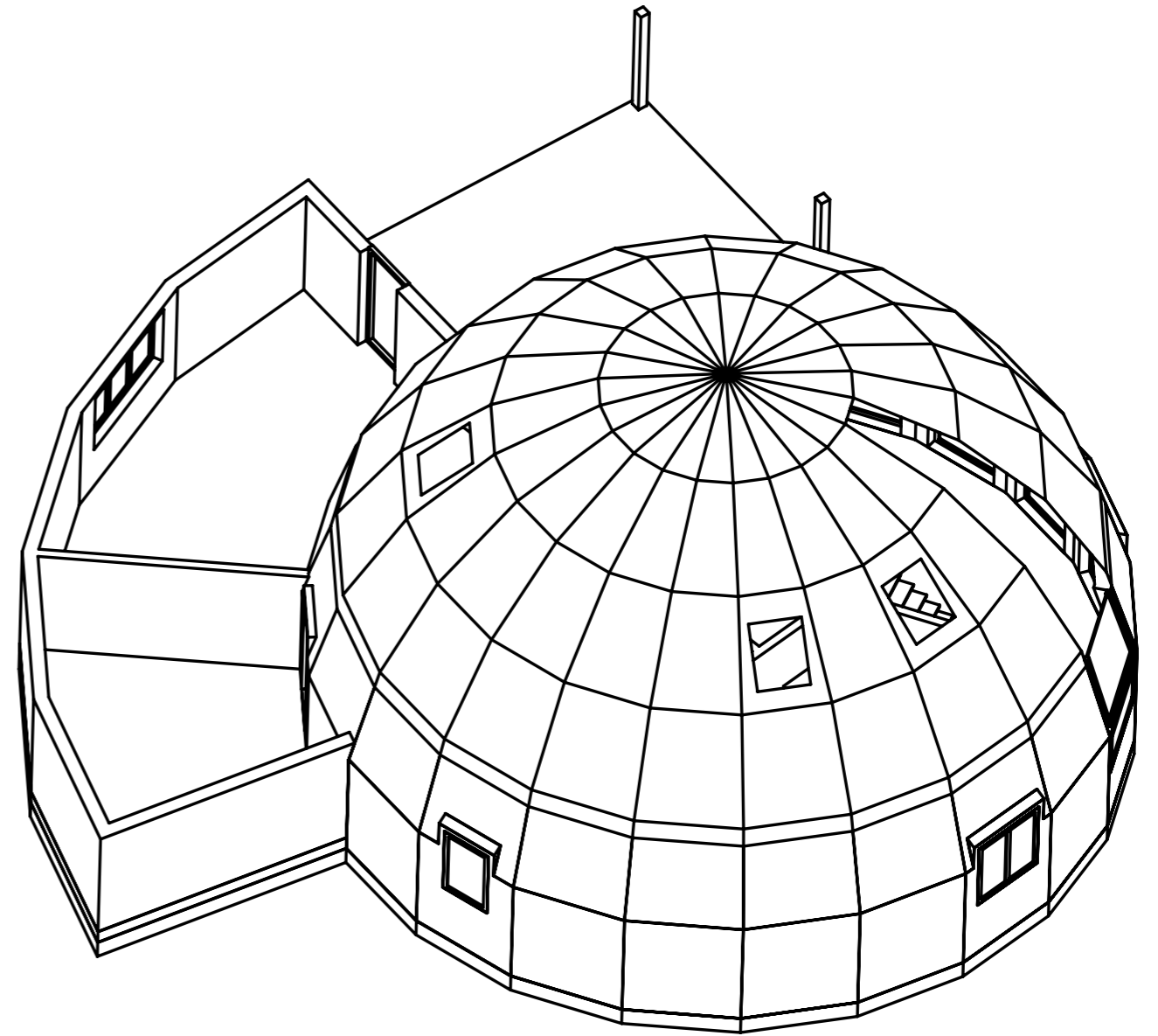
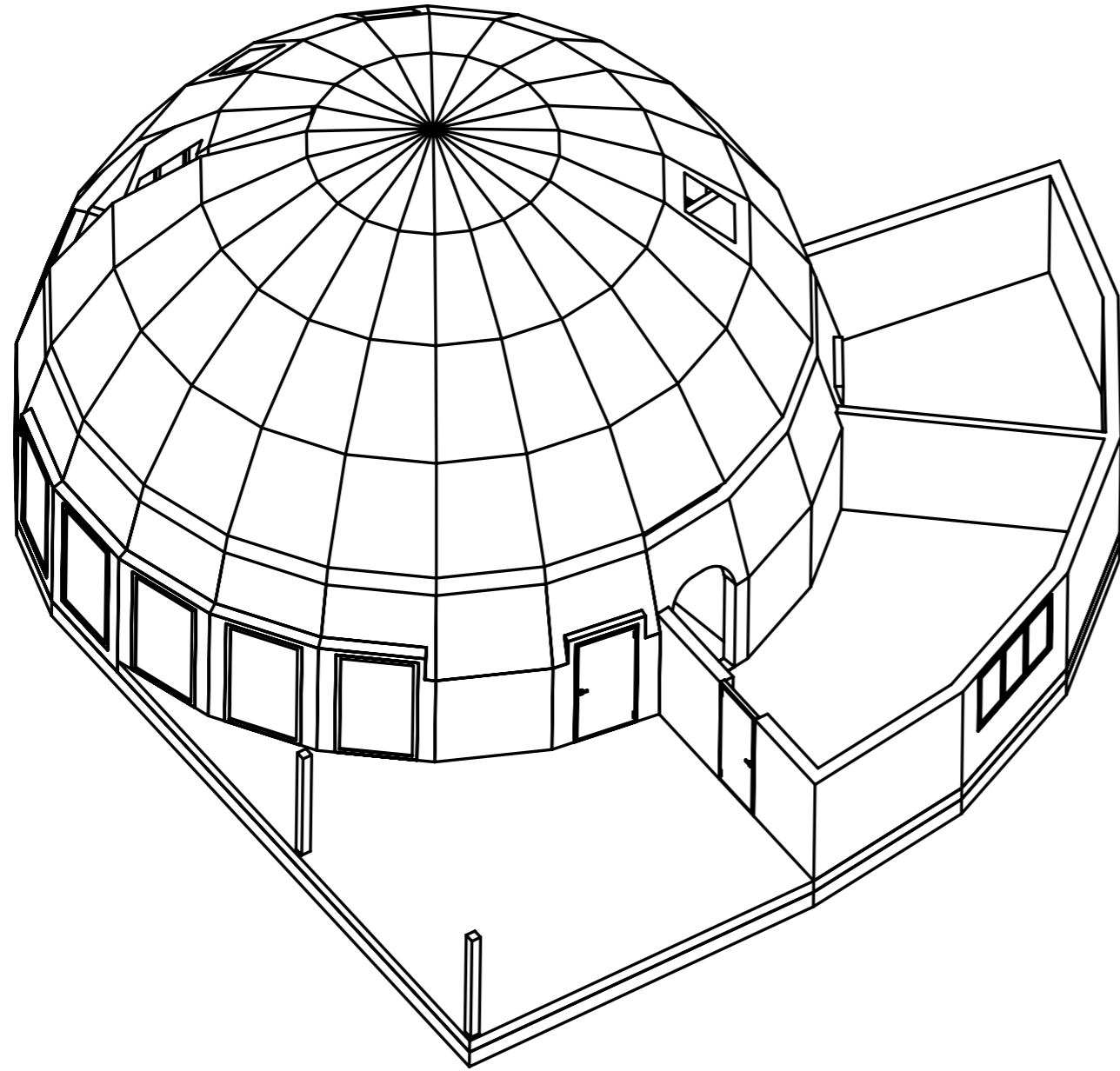
<i>Foundation slab</i>	<i>Stage</i>	<i>Page</i>	<i>Pages</i>
	<i>P</i>	<i>7</i>	<i>22</i>



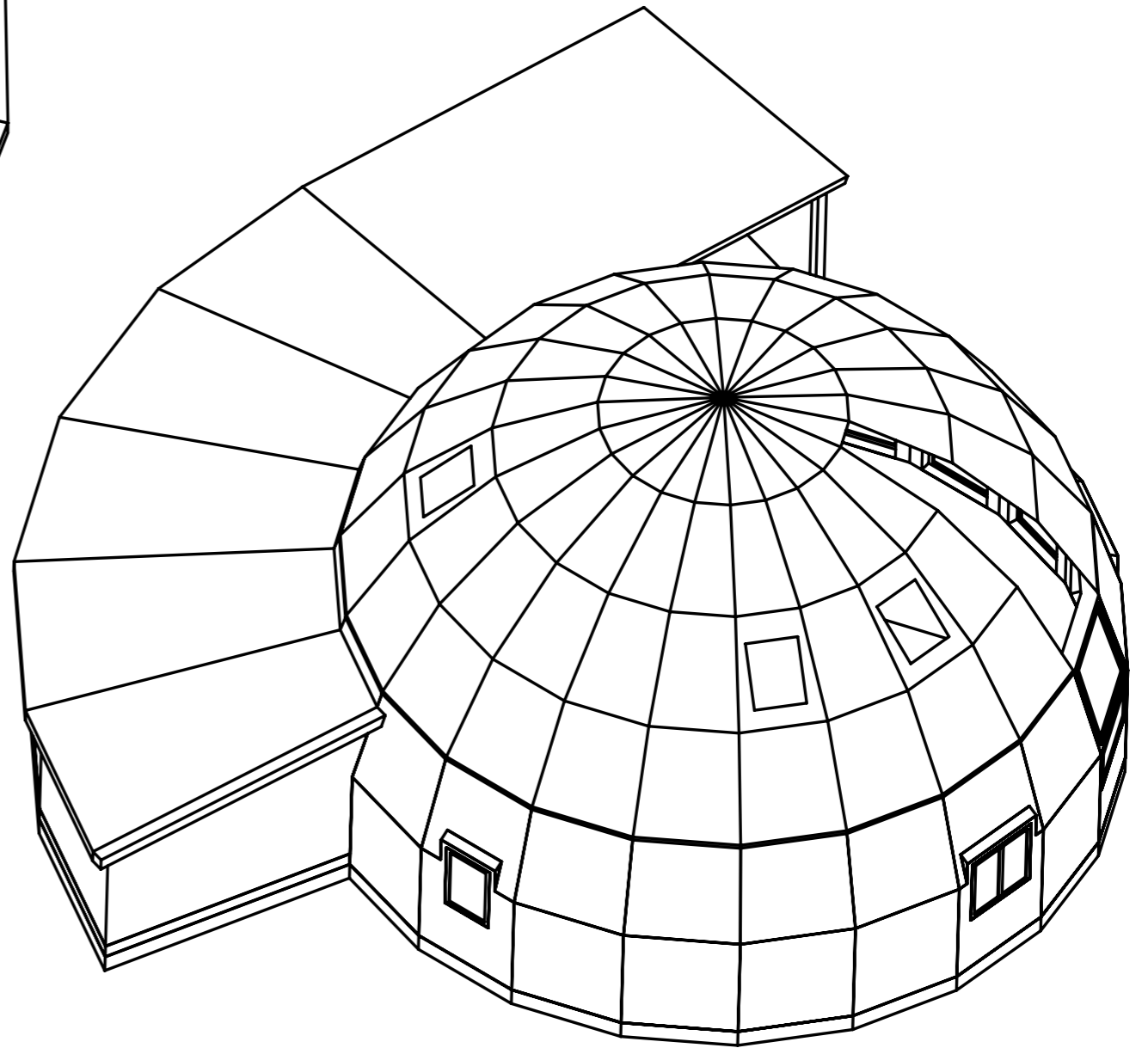
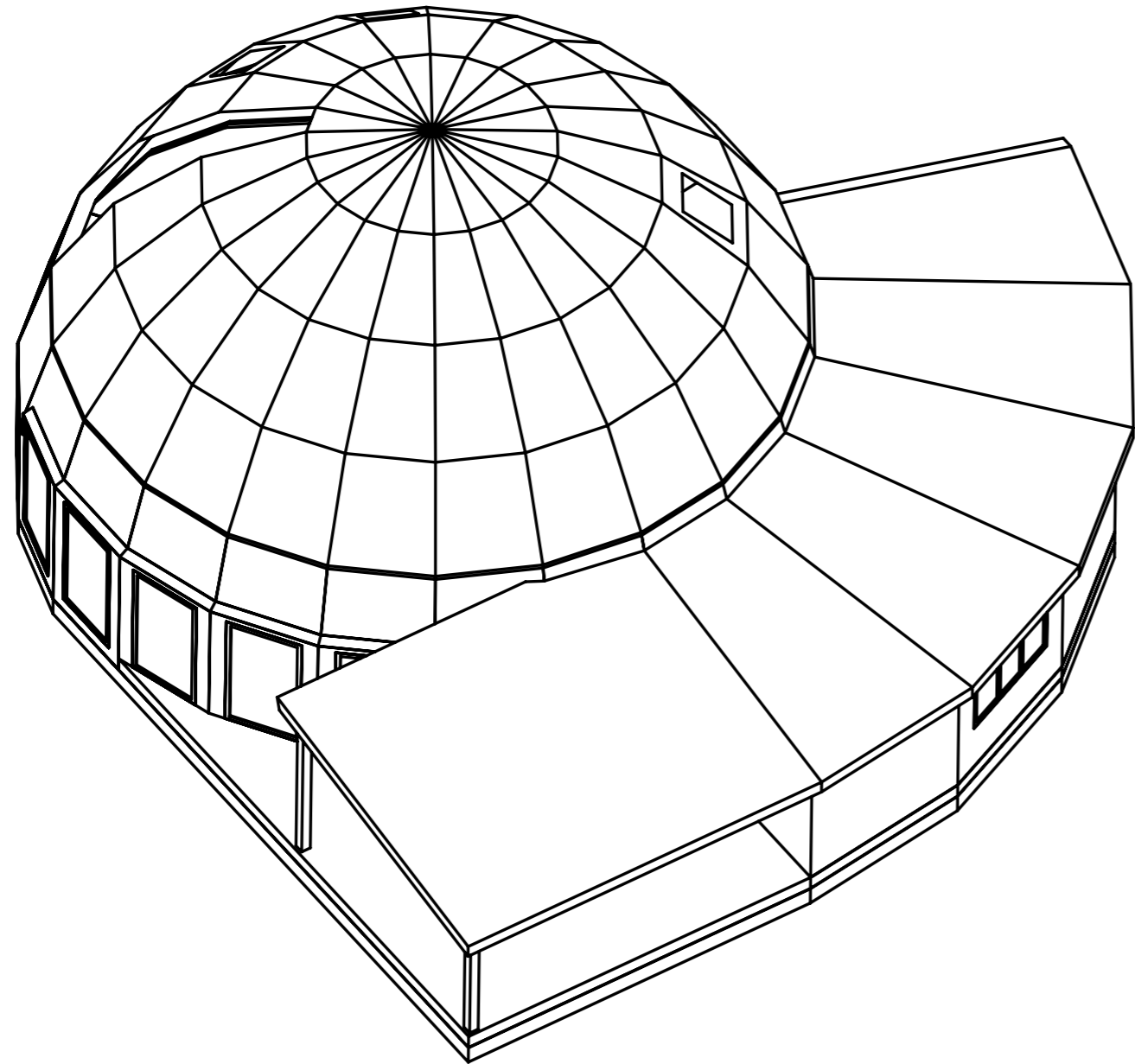
<i>General view</i>	<i>Stage</i>	<i>Page</i>	<i>Pages</i>
	<i>P</i>	<i>8</i>	<i>22</i>



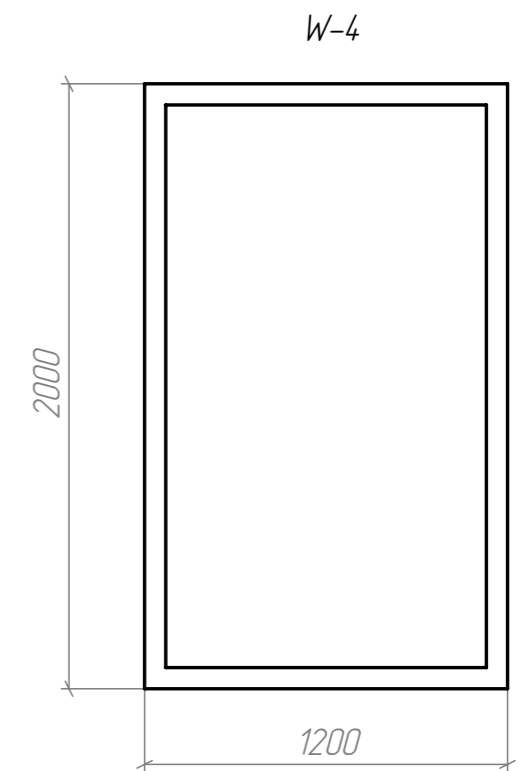
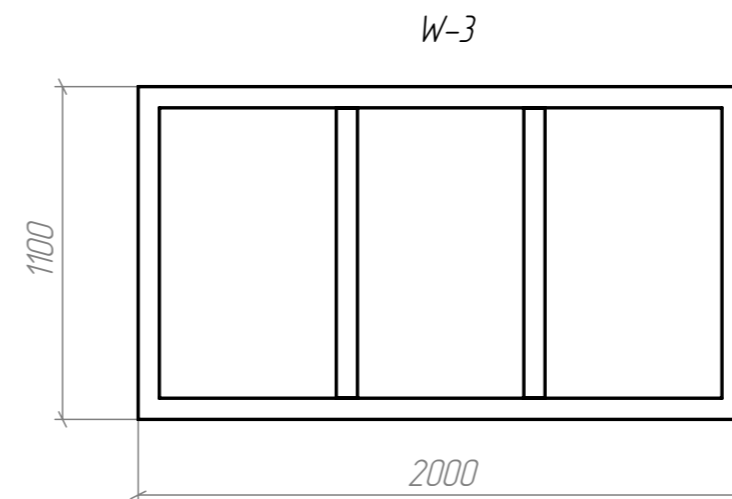
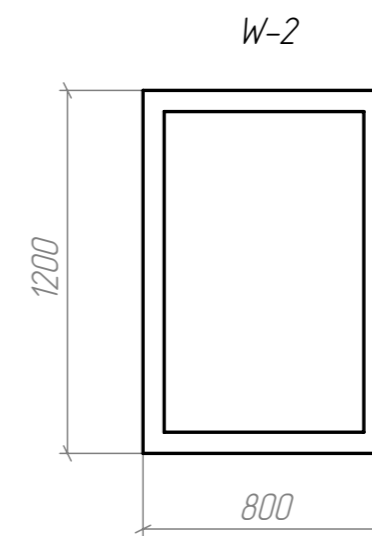
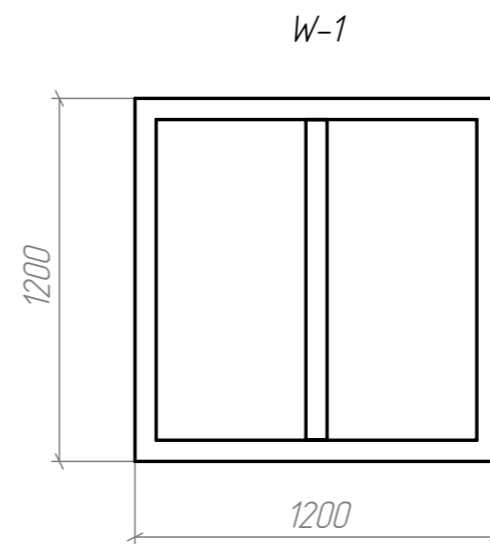
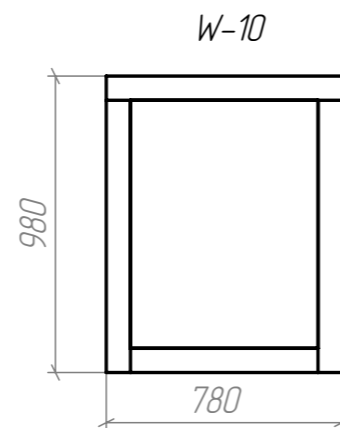
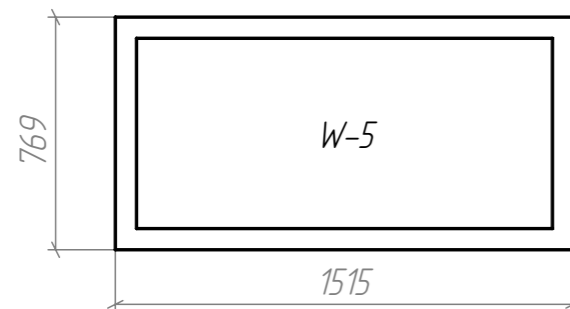
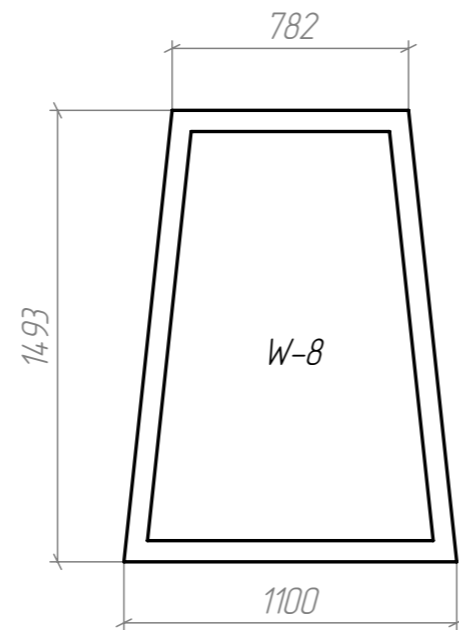
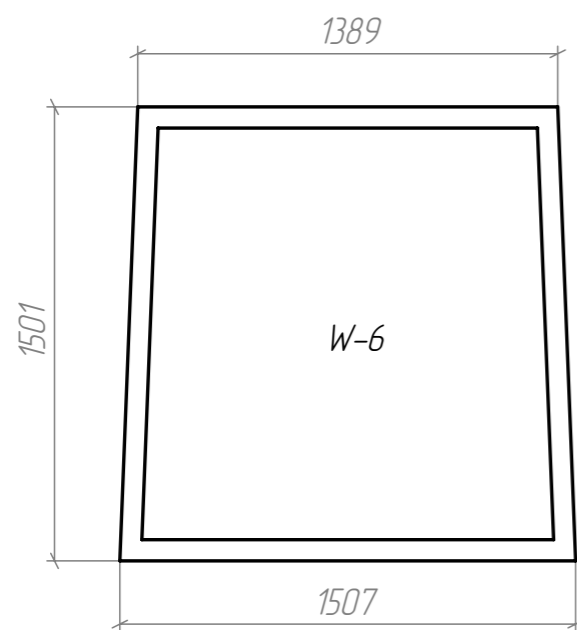
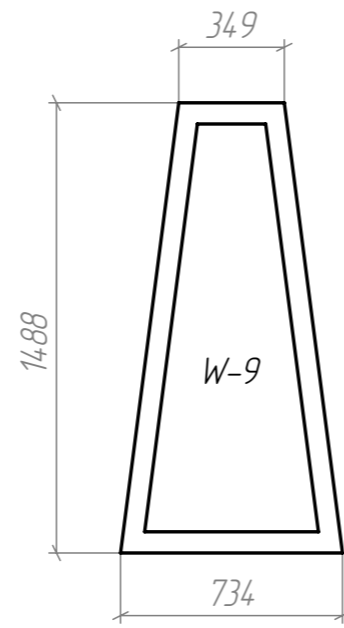
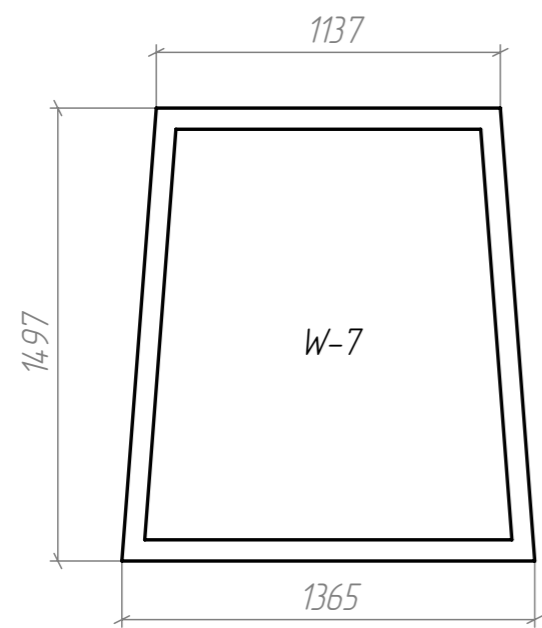
<i>Main dimensions</i>	<i>Stage</i>	<i>Page</i>	<i>Pages</i>
	<i>P</i>	<i>9</i>	<i>22</i>



<i>View 1</i>	<i>Stage</i>	<i>Page</i>	<i>Pages</i>
	<i>P</i>	<i>10</i>	<i>22</i>

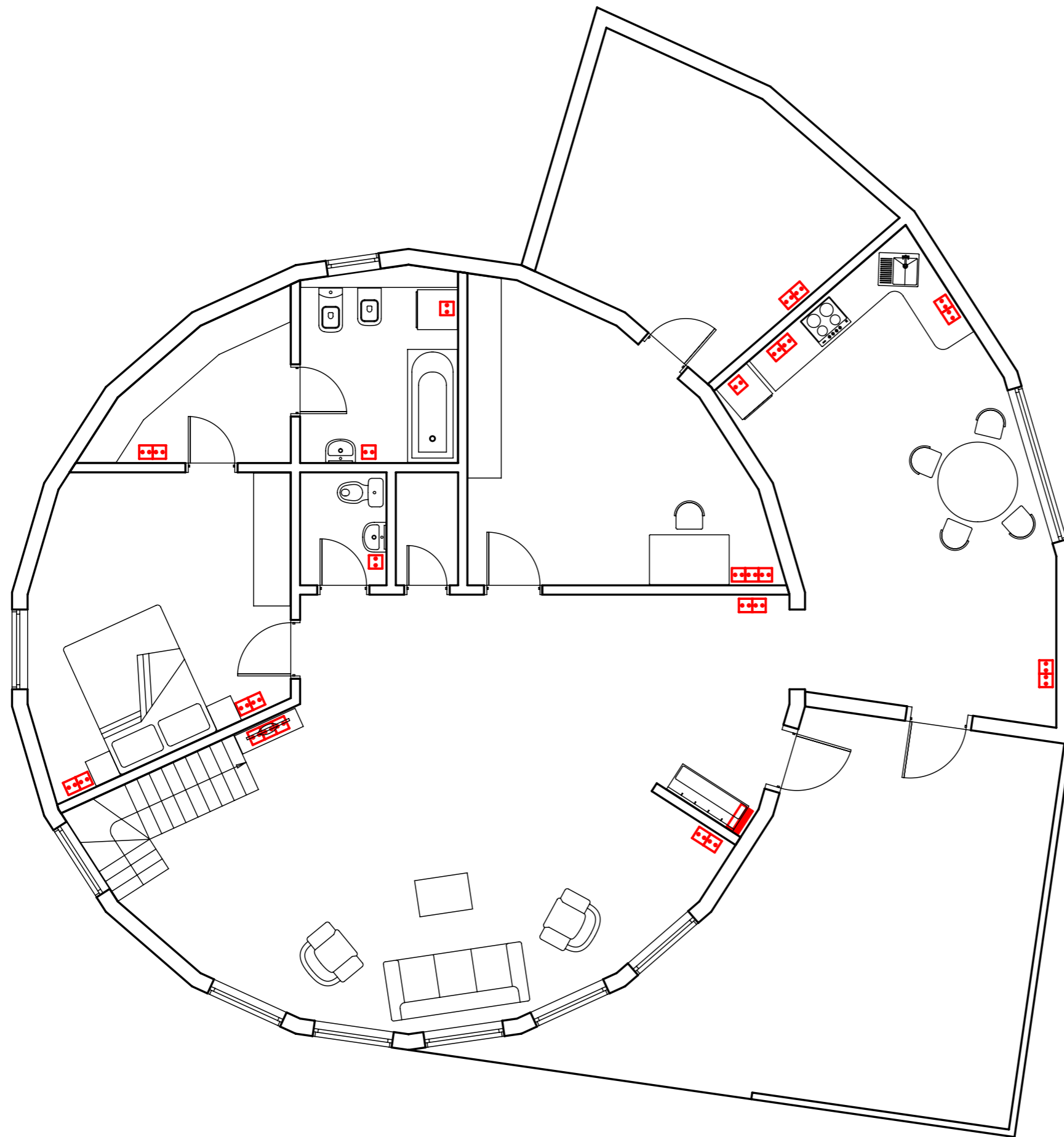






<i>View 2</i>	<i>Stage</i>	<i>Page</i>	<i>Pages</i>
	<i>P</i>	<i>11</i>	<i>22</i>



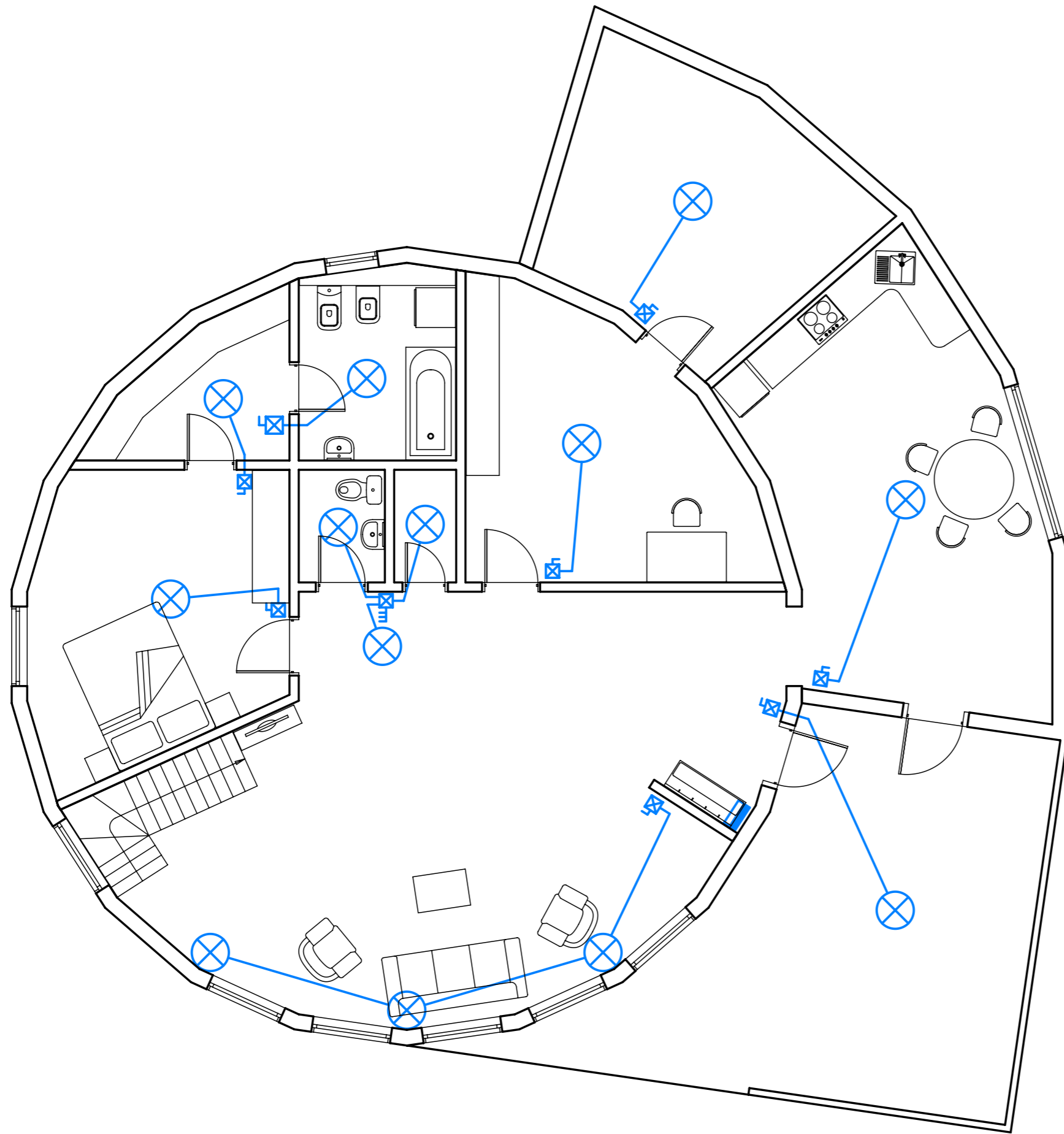
Windows		
Nº	Name	Amount
W-1	Individual window	1
W-2	Individual window	1
W-3	Individual window	1
W-4	Individual window	5
W-5	Panoramic window	1
W-6	Panoramic window	1
W-7	Panoramic window	1
W-8	Panoramic window	1
W-9	Panoramic window	1
W-10	Mansard window	3





Windows	Stage	Page	Pages
	P	12	22



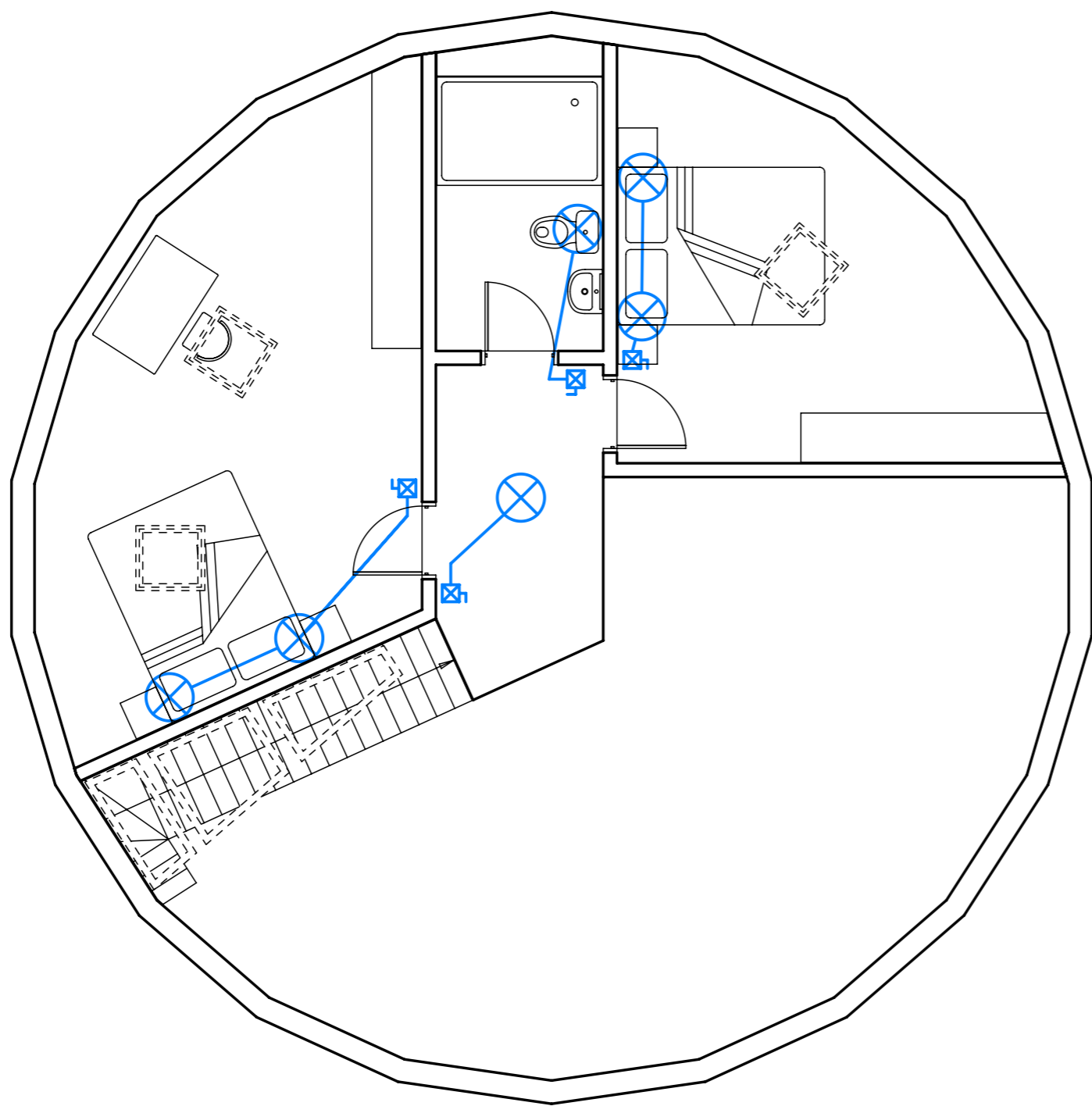
	Name	Amount
	Single socket	1
	Double socket	3
	Three-seat socket	3
	Electrical shield	1




<i>Electrical outlets</i>	<i>Stage</i>	<i>Page</i>	<i>Pages</i>
	<i>P</i>	<i>13</i>	<i>22</i>



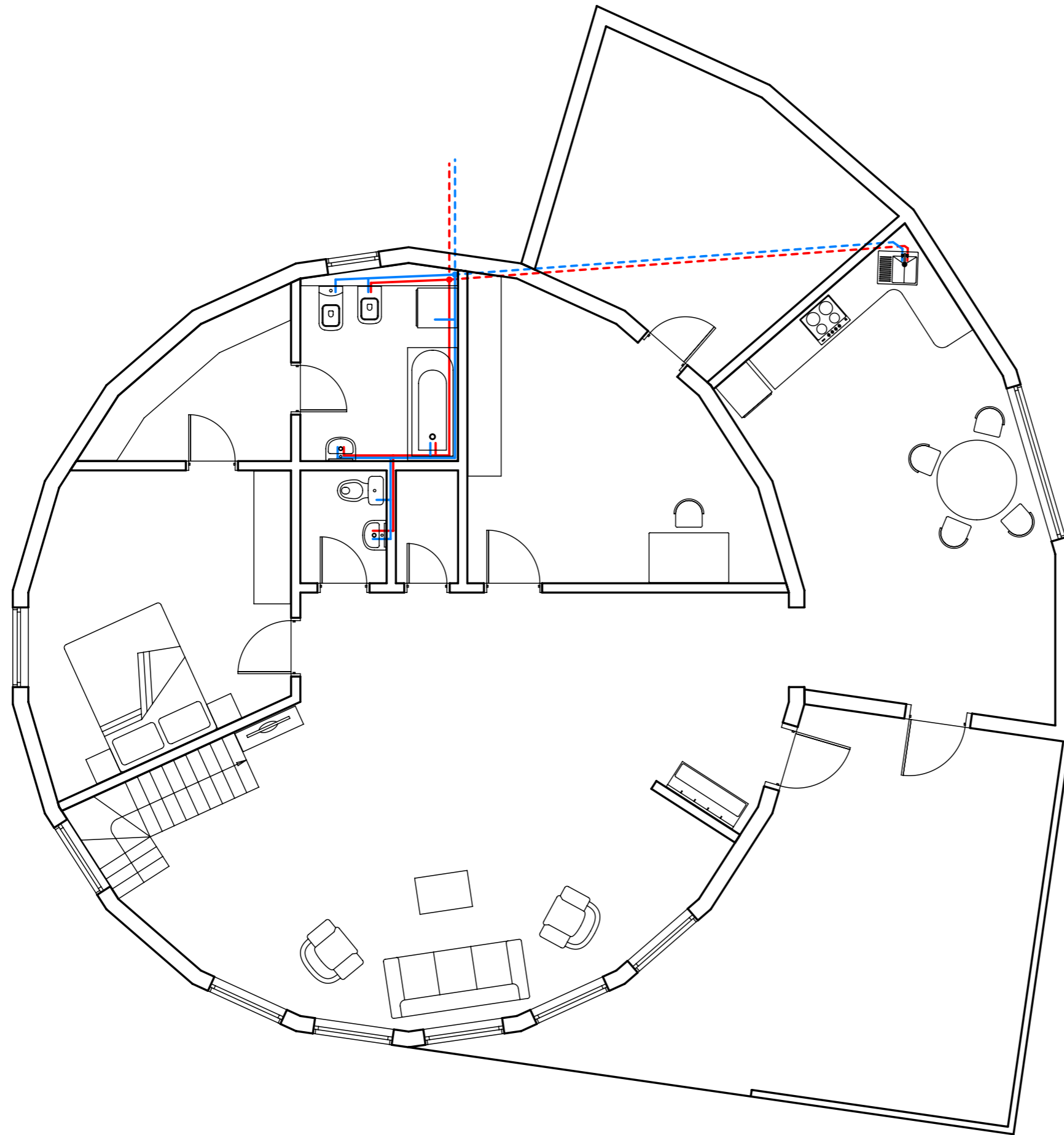
	Name	Amount
	Single electrical switch	8
	Triple electrical switch	1
	Lamp	13
	Electrical shield	1

<i>Lamp and electrical switch</i>	<i>Stage</i>	<i>Page</i>	<i>Pages</i>
	<i>P</i>	<i>15</i>	<i>22</i>



	Name	Amount
	Single electrical switch	8
	Lamp	13
	Electrical shield	1

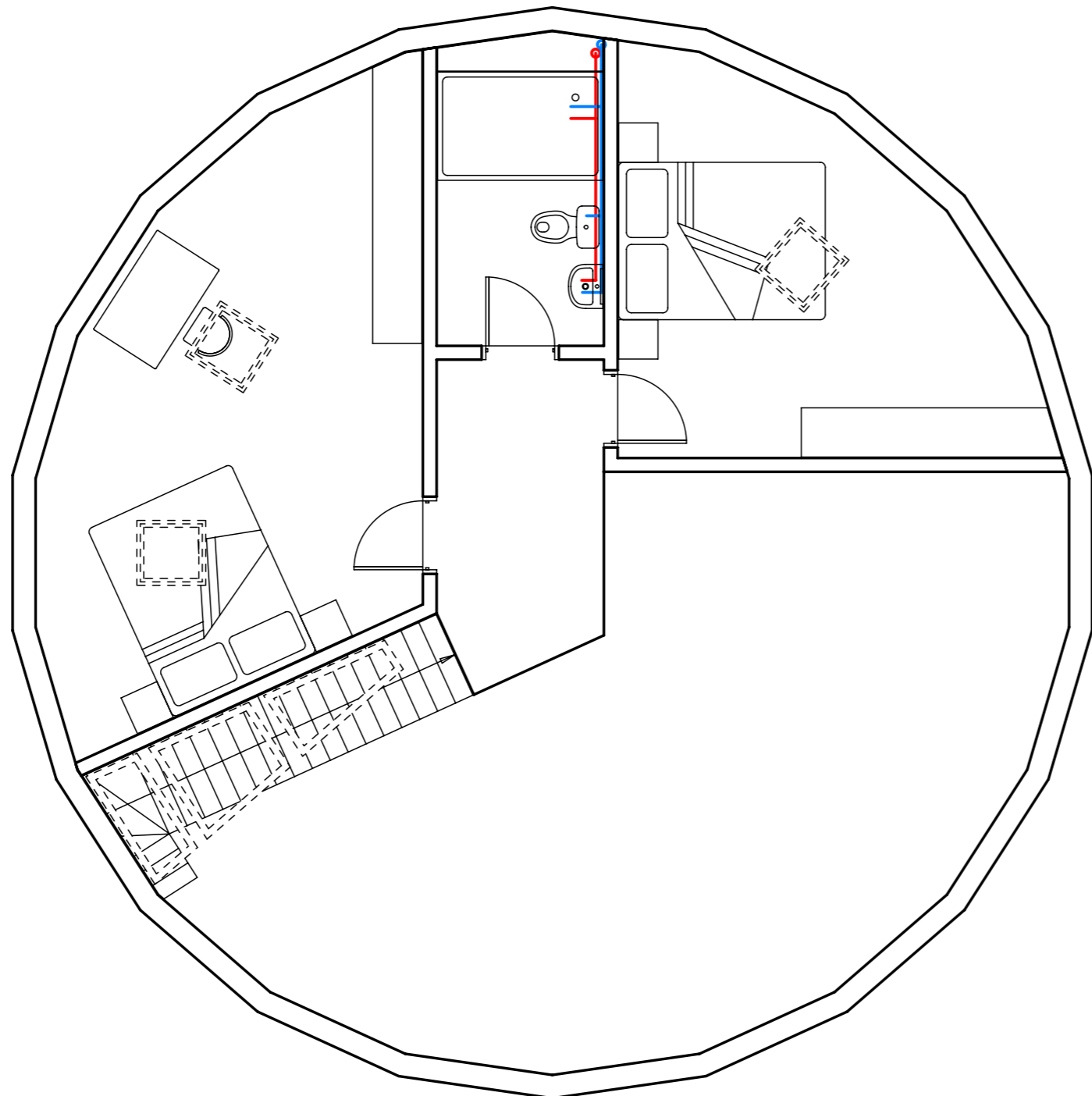
<i>Lamp and electrical switch</i>	<i>Stage</i>	<i>Page</i>	<i>Pages</i>
	<i>P</i>	<i>16</i>	<i>22</i>



- Hot water
- Cold water
- - - Cold water under the floor
- - - Hot water under the floor

Note: The pipes are schematic

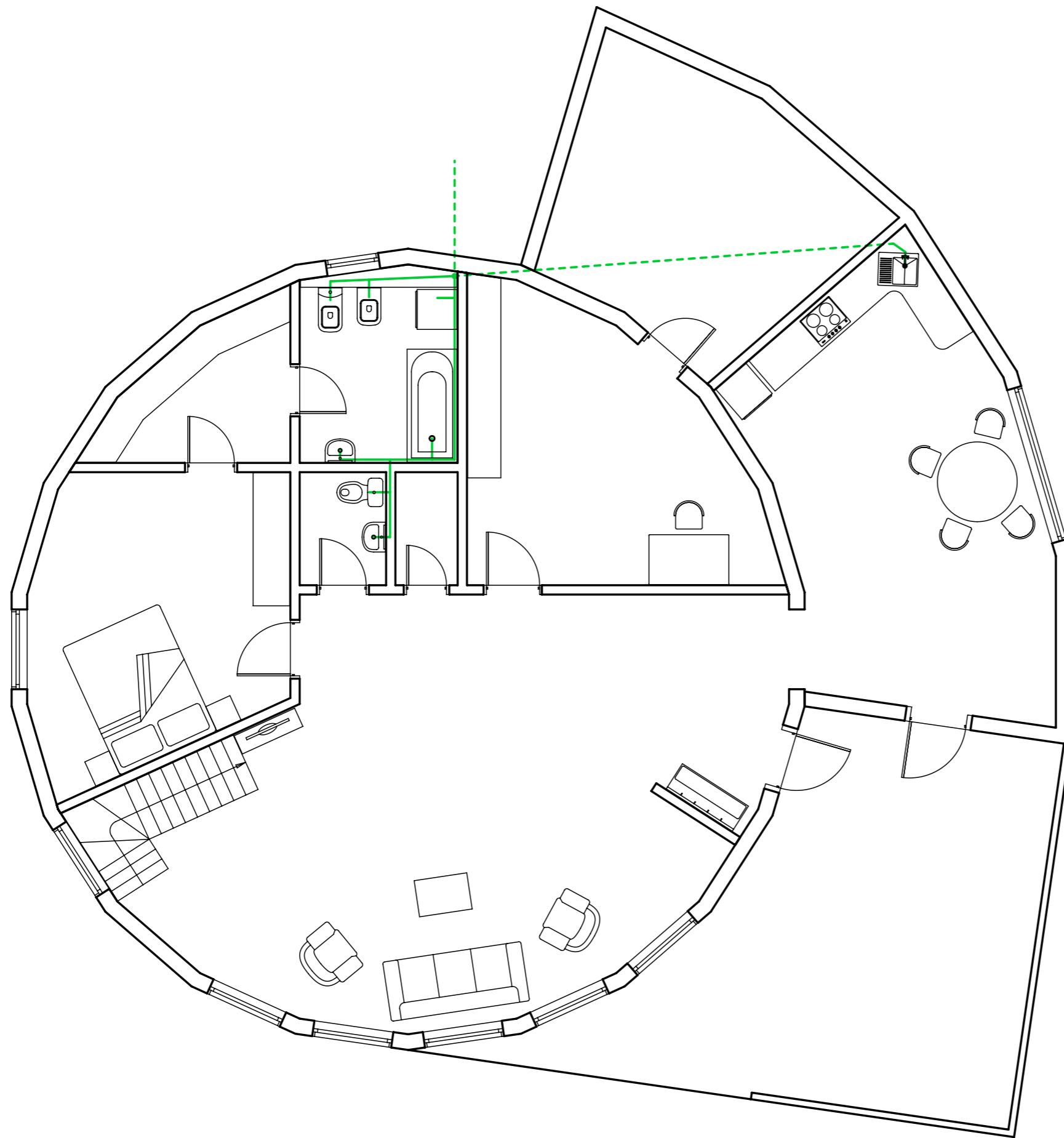
<i>Plumbing system</i>	<i>Stage</i>	<i>Page</i>	<i>Pages</i>
	<i>P</i>	<i>17</i>	<i>22</i>



- Hot water
- Cold water
- - - Cold water under the floor
- - - Hot water under the floor

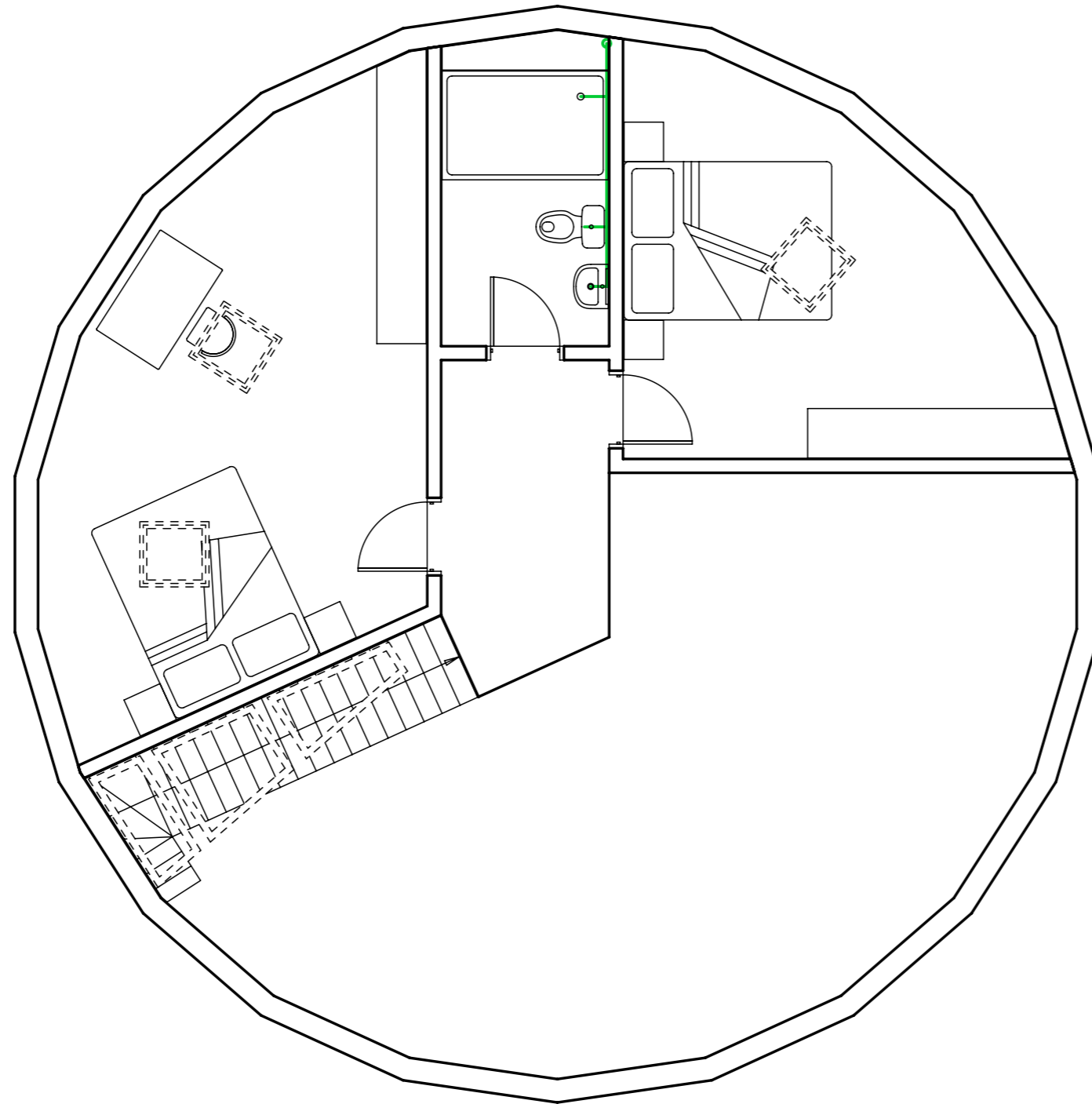
Note: The pipes are schematic

<i>Plumbing system</i>	<i>Stage</i>	<i>Page</i>	<i>Pages</i>
	<i>P</i>	<i>18</i>	<i>22</i>



— Along the walls
 - - - Under the floor

<i>Sewer system</i>	<i>Stage</i>	<i>Page</i>	<i>Pages</i>
	<i>P</i>	<i>19</i>	<i>22</i>



— Along the walls
 - - - Under the floor

<i>Sewer system</i>	<i>Stage</i>	<i>Page</i>	<i>Pages</i>
	<i>P</i>	<i>20</i>	<i>22</i>

<i>Fire bio-protection</i>	
<i>«Pirilaks» Classic 50 kg</i>	<i>1 barrel</i>
<i>Пиломатериал</i>	
<i>Wooden plank 50x100x6000</i>	<i>30 pcs / 0,9 м3</i>
<i>Wooden plank 50x200x6000</i>	<i>45 pcs / 2,7 м3</i>
<i>Sheet material</i>	
<i>OSB-3 15x1250x2500</i>	<i>198 sheets</i>
<i>Plywood 20x1220x2440</i>	<i>1 sheet</i>
<i>Insulation</i>	
<i>Insulation PPU (2,5 balloon / 1 м2)</i>	<i>515 pcs</i>
<i>Spray gun</i>	<i>2 pcs</i>
<i>Foam cleaner</i>	<i>3 pcs</i>
<i>Angle nozzle</i>	<i>2 pcs</i>
<i>Roof</i>	
<i>Underlay carpet</i>	<i>292 м2</i>
<i>Soft tiles</i>	<i>292 м2</i>
<i>Bituminous mastic</i>	<i>15 kg</i>
<i>Roofing nails 3,5x30</i>	<i>35 kg</i>
<i>Metalware</i>	
<i>Bolt M12x120</i>	<i>606 pcs</i>
<i>Bolt M12x170</i>	<i>130 pcs</i>
<i>Washer M12</i>	<i>1472 pcs</i>
<i>Nut M12</i>	<i>736 pcs</i>
<i>Screw for wood 5x70</i>	<i>5 000 pcs</i>

** Calculation of materials is approximate, excluding stock*

<i>Materials *</i>	<i>Stage</i>	<i>Page</i>	<i>Pages</i>
	<i>P</i>	<i>21</i>	<i>22</i>

<i>Reference Information</i>	
<i>Outside area of the dome</i>	<i>206 m²</i>
<i>Exterior area of extension walls</i>	<i>49 m²</i>
<i>Extension roof area</i>	<i>86 m²</i>
<i>Overlap area of the first floor including terrace</i>	<i>182 m²</i>
<i>Overlap area of the second floor</i>	<i>48 m²</i>

<i>Reference Information</i>	<i>Stage</i>	<i>Page</i>	<i>Pages</i>
	<i>P</i>	<i>22</i>	<i>22</i>